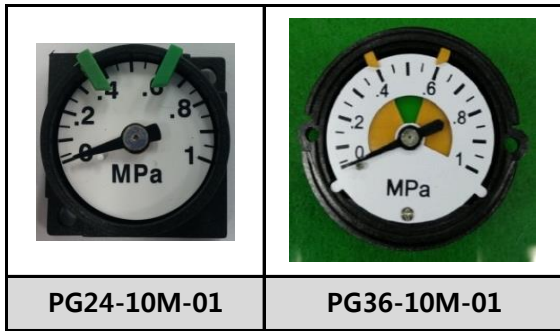


Option

■ Integral pressure gauge (for MPa)



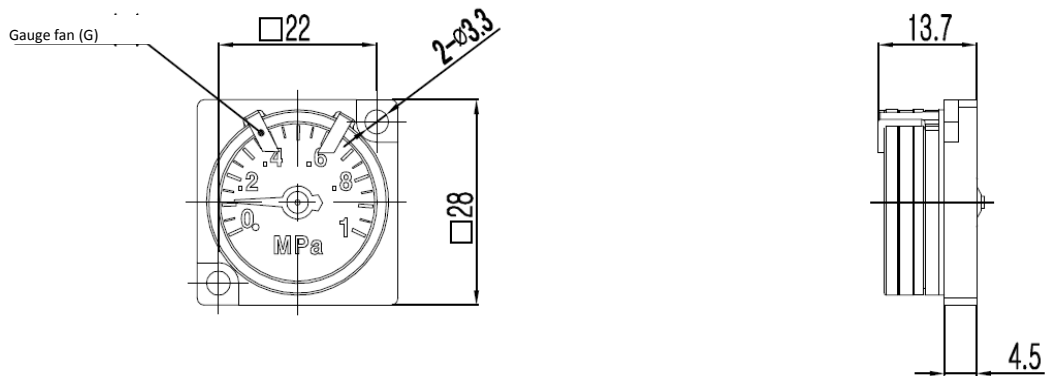
■ Specifications

Fluid	Air
Max. operating pressure (MPa)	1.0
Display pressure range(MPa)	0 ~ 1.0
Indication precision (%)	±5 F.S (Full Span)
Ambient and fluid temp (°C)	-5 ~ 60 (Non-freezing)

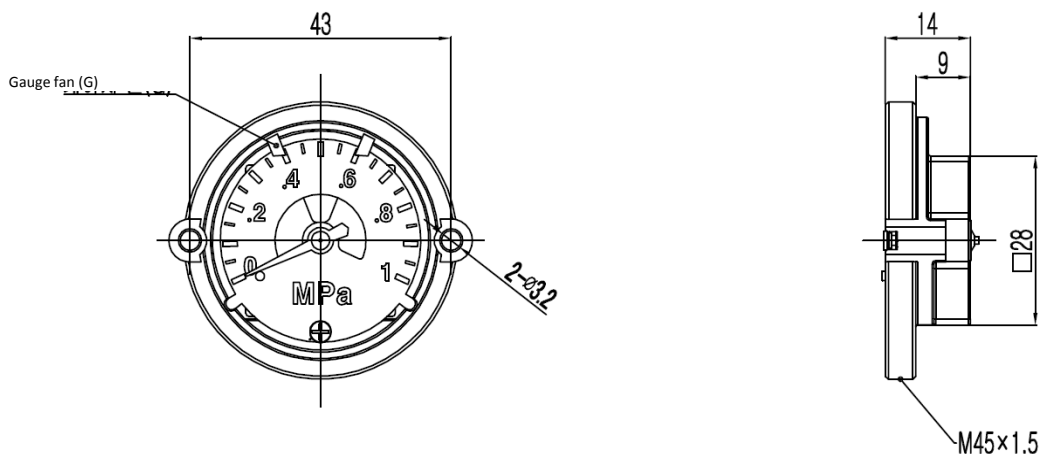
Note 1) Do not apply vibration or shock to the pressure gauge. It may cause malfunction.

Note 2) The temperature range for guaranteeing indication precision should be 23°C±5°C.

■ Dimensions for PG24-10M-01



■ Dimensions for PG36-10M-01



※ It is easy to manage the pressure range of the gauge using a pair of rotatable gauge fans (G).

■ Parts information

Gauge type	Part number	Pressure range (Unit)	Applicable series
Integral pressure gauge(Ø24)	PG24-10M-01	0~1.0 (MPa)	PC2, 3 Series
Integral pressure gauge(Ø36)	PG36-10M-01		PC4, 5 Series